

# THseries TH315

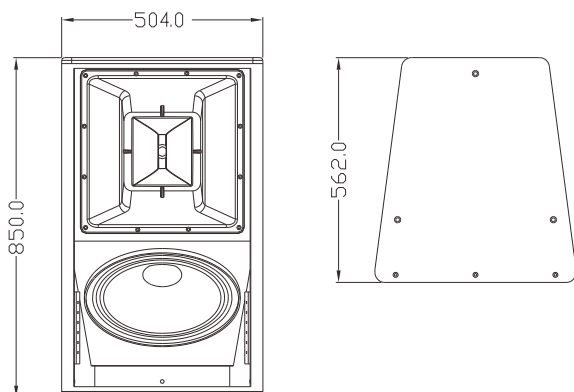
## Three-way Loudspeaker System

**TH315 is a single 15" , 3-way ,big power, high SPL, long-throw speaker.** It uses 1x15" woofer, 1x10" mid unit, 1x1.4" exit throat 75mm voice coil HF driver, HF adopts coaxial horn design , LF adopts half horn loaded design. The wood box adopts multilayer composite plywood, wear-resistant and waterproof polyurea paint.

TH315是一款三分频15寸大功率，高声压级中远程音箱。中高音采用1只10寸中音与1只1.4寸喉口75芯驱动器同轴号角设计，低音采用号角负载设计，箱体采用多层复合夹板，耐磨聚脲喷涂。



### CONFIGURATION



### FEATURES

- High quality plywood with wear-resistant and waterproof polyurea paint
- High quality neodymium HF driver
- Horn-loaded design
- Long-throw design
- Big power, high SPL
- Good used for moving performance, theatres and cinemas

### 产品特征

- 高品质单元配置
- 紧凑型箱体设计，同轴中高音号角负载设计，高声压级输出
- 真正的三分频

### 适用范围

- 酒吧、餐吧、会所
- 多功能厅、会议室、报告厅



**MODEL**  
**FREQUENCY RESPONSE(-3dB)**  
**FREQUENCY RESPONSE(-10dB)**  
**DRIVERS**

**RATED POWER**  
**SENSITIVITY**  
**MAXIMUM SPL**  
**IMPEDANCE**  
**DISPERSION(-6dB)**  
**CROSSOVER FREQUENCIES**  
**INPUT CONNECTORS**  
**PACKAGE SIZE**  
**NET WEIGHT**  
**GROSS WEIGHT**

**TH315**  
**50Hz-18KHz**  
**45Hz-20kHz**  
**1×15"(385mm)/4"voice coil LF**  
**1×10"(250mm)/2.5"voice coil MF**  
**1×1.4"(36mm)/3"voice coil HF**  
**600W RMS,2400W peak**  
**101 dB 1watt/1 metre**  
**129 dB continuous, 135dB peak**  
**8 ohms nominal**  
**80°×40°**  
**290Hz, 1.3 kHz passive**  
**2×Speakon NL4**  
**652mm×610mm×965mm**  
**43 kg/pc**  
**48 kg/pc**