



FT series FT2153 II

Two-way Loudspeaker System

The FT2153 II is a 2-way system with two 15" (385mm) woofer and one 1" (25mm) exit compression driver mounted on a special 100° × 50° horn.

FT2153 II 是一款双15"两分音全音域音箱。采用两只15"高效率低音单元，一只1"喉口44芯高分子聚酯膜高音驱动器配置专门设计的号角，箱体采用高密度复合板，水性环保喷涂制作。

FEATURES

- High quality MDF with special environmental protection paint
- Very high SPL from a full range passive enclosure
- 100° × 50° plastic horn
- Mid-high frequency's sensitivity can be adjusted

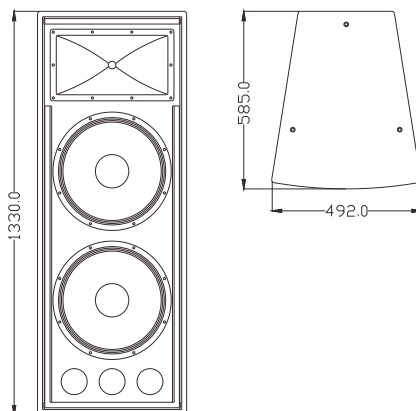
产品特点

- 中高音灵敏度可调
- 优化单元配置，高强度复合板箱体，性价比极高
- 多吊挂点，操作简易快捷
- 超长品质保证期：品质与信心的保证

适用范围

- 用于全音域扩声、语言会议系统
- 多功能厅、高级酒店会所
- 小型室外扩声

CONFIGURATION



FREQUENCY RESPONSE(-3dB)	40Hz-20kHz
FREQUENCY RESPONSE(-10dB)	35Hz-20kHz
DRIVERS	2 × 15" (385mm) / 3" voice coil LF 1 × 1" (25mm) / 1.7" voice coil HF
RATED POWER	800W RMS, 3200W peak
SENSITIVITY	100dB 1watt/1 metre
MAXIMUM SPL	130 dB continuous, 136 dB peak
IMPEDANCE	4 ohms nominal
DISPERSION(-6dB)	100° × 50°
CROSSOVER FREQUENCIES	2.2 kHz passive
INPUT CONNECTORS	2 × Speakon NL4
PACKAGE SIZE	705mm × 615mm × 1460mm
NET WEIGHT	57 kg/pc
GROSS WEIGHT	69 kg/pc