



pro audio



# LHseries LH215

## Two-way Loudspeaker System

### FEATURES

- High quality plywood with special environmental protection paint
- Very high SPL from a full range passive enclosure
- Fiberglass 90°×50° horn
- Dedicated low distortion mid-bass driver
- Used for moving performance, multi-purpose hall and high-end hotel

### 产品特征

- 高质量单元配置，高强度夹板箱体
- 高功率输出，重量轻便于搬运和固定安装
- 多吊挂点与支撑配合，操作简易快捷
- 超长品质保证期：品质与信心的保证

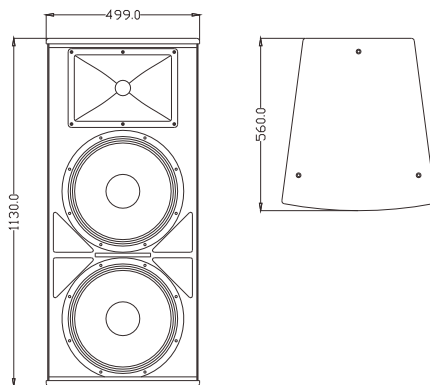
### 适用范围

- 用于全音域室内、外扩声
- 多功能厅、高级酒店会所

**The LH215** is the ideal general-purpose 2-way loudspeaker with a wide frequency response, suitable for all kinds of mid-field theatre and live venue applications that require professional sound quality, fitted with two 15" neodymium woofers and one 2" exit neodymium compression driver coupled to a special design horn.

LH215是一款双15"两分音全音域音箱。采用两只15"强磁高功率低音单元，一只2"喉口75芯钛膜高音驱动器配置专门设计的号角，箱体采用多层复合夹板，特殊环保喷涂制作。

### CONFIGURATION



<b>FREQUENCY RESPONSE(-3dB)</b>	45 Hz-18kHz
<b>FREQUENCY RESPONSE(-10dB)</b>	40 Hz-20kHz
<b>DRIVERS</b>	2× 15"(385mm)/4"voice coil LF 1× 2"(50mm)/3"voice coil HF
<b>RATED POWER</b>	1200W RMS, 4800W peak
<b>SENSITIVITY</b>	101dB 1watt/1 metre
<b>MAXIMUM SPL</b>	131dB continuous, 137 dB peak
<b>IMPEDANCE</b>	4 ohms nominal
<b>DISPERSION(-6dB)</b>	90°×50°
<b>CROSSOVER FREQUENCIES</b>	1.5 kHz passive
<b>INPUT CONNECTORS</b>	2× Speakon NL4
<b>PACKAGE SIZE</b>	660mm× 605mm× 1250mm
<b>NET WEIGHT</b>	50 kg/pc
<b>GROSS WEIGHT</b>	56 kg/pc