



K series is a group of two-way column system with two channels digital amplifier with DSP. The small-sized column uses aluminum alloy housing and neodymium units, with small size, light weight, high sensitivity, clear and bright sound, can be used alone or combined with active subwoofers into a sound reinforcement system. K12BAS, K15BAS are active subwoofers with two channels digital amplifier with DSP.

K系列是一组两分音音柱和带DSP处理功能的两通道D类功率放大器的集合体，小型音柱采用铝合金箱体，钕铁硼磁铁单元，具有体积小、重量轻、灵敏度高、声音清晰、明亮等特点，可单独使用，也与集合体组成系统。K12BAS、K15BAS 是带DSP处理功能的两通道D类功率放大器的集合体。音柱与其配合成为完整的有源扩声系统。

FEATURES

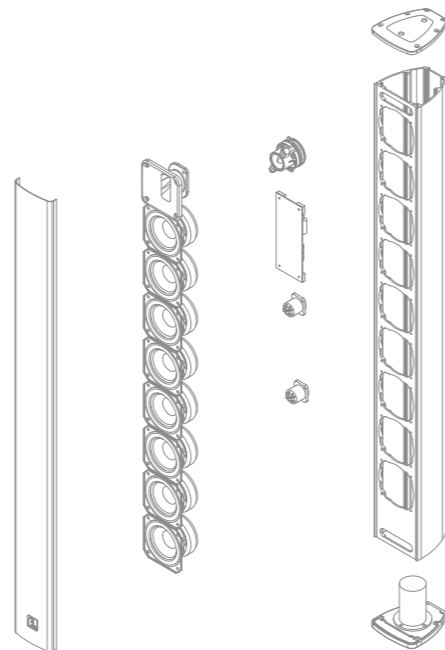
- Small volume and light weight for full range speaker
- Clear and bright sound for full range
- Full function, rich and elastic bass
- Multiple ways of installation and combination
- **Applications:** band performance, small mobile business performance, conference rooms, multi-purpose halls, churches

产品特点

- 全频体积小、重量轻
- 全频声音清新明亮
- 集合体功能齐全、低音丰满且有弹性
- 多种安装组合方式

适用范围

- 乐队演出
- 小型流动商演
- 会议室，多功能厅、教堂



K series Column Speaker

Two-way Loudspeaker System



MODEL	K3	K12B	K12BAS
FREQUENCY RESPONSE(-10dB)	120Hz-18kHz	40Hz-300Hz	40Hz-300Hz and 50Hz-20kHz
LF DRIVER	8×3"/0.8"voice coil Mid/High Unit	1×12"/ 3"voice coil	1×12"/ 3"voice coil
HF DRIVER	1×1"/1"voice coil	--	--
RATED POWER	200W RMS,800W peak	300W RMS,1200W peak	1350W/8Ω+450W/8Ω
SENSITIVITY	97dB 1watt/1meter	96dB 1watt/1meter	--
MAXIMUM SPL	120 dB continuous,126dB peak	121dB continuous,127dB peak	121dB continuous,127dB peak
IMPEDANCE	8 ohms	8 ohms	--
DISPERSION(-6dB)	120°×30°	--	--
CROSSOVER FREQUENCIES	2.9 kHz passive	--	--
INPUT CONNECTORS	2×Speakon NL4	2×Speakon NL4	Balanced Differential line
PACKAGE SIZE	955×305×160 mm (1pair/carton)	605×415×632 mm	605×415×632 mm
NET WEIGHT	6 kg/pc	24 kg/pc	26 kg/pc
GROSS WEIGHT	15 kg/pair	28 kg/pc	30 kg/pc

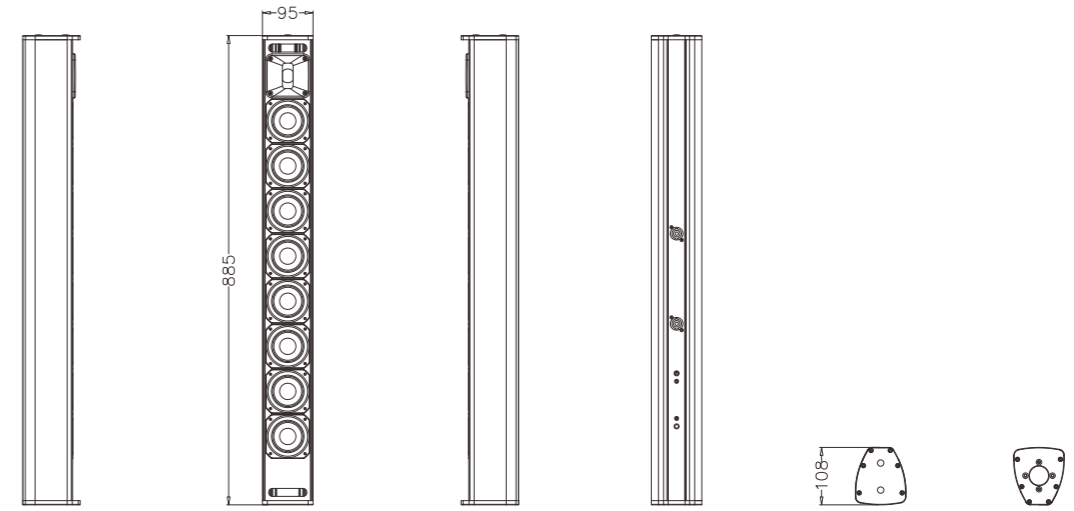
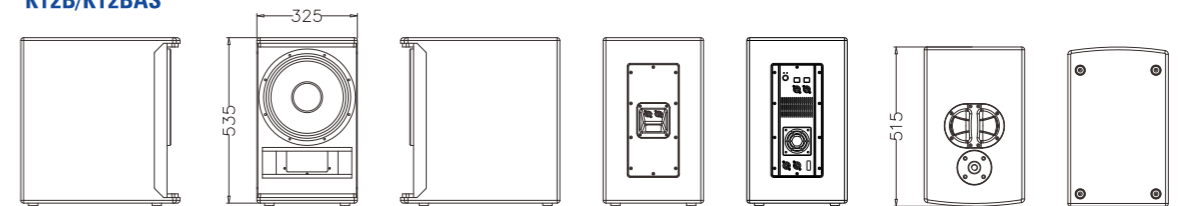
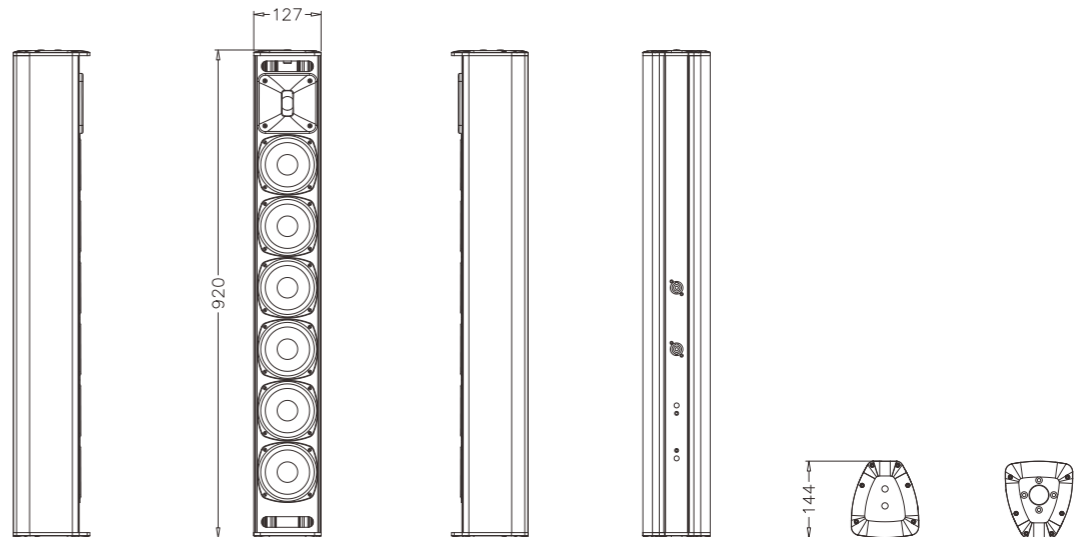
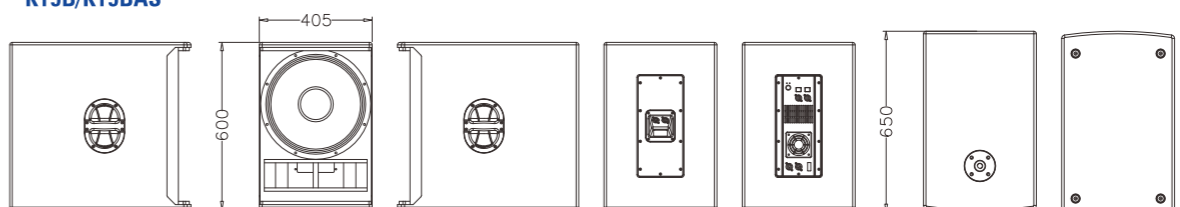
K series Column Speaker

Two-way Loudspeaker System



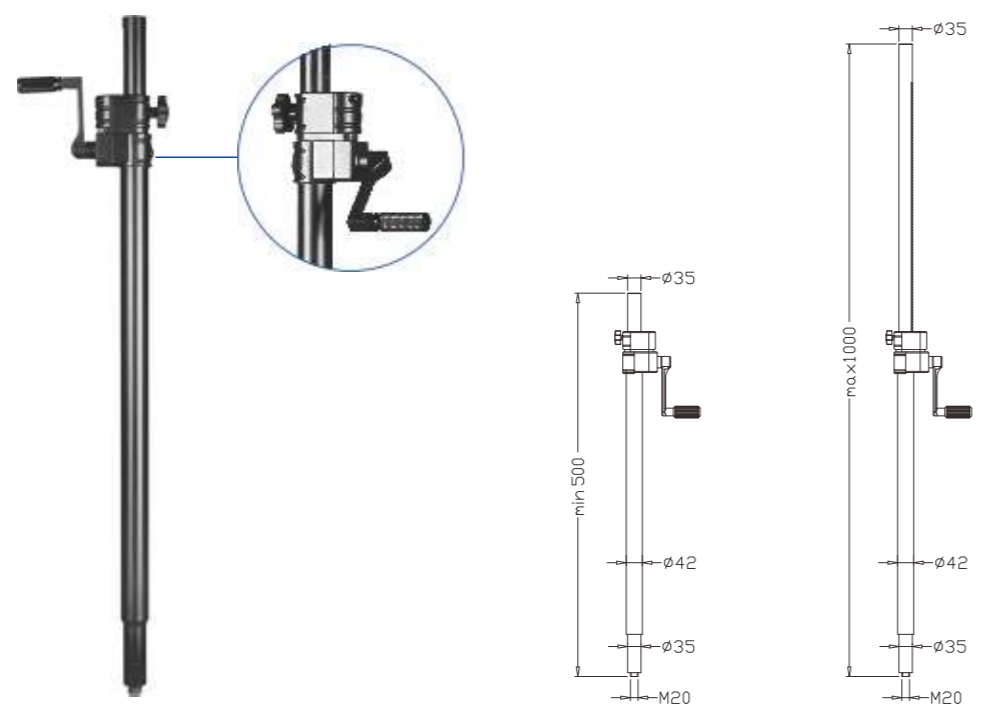
MODEL	K4	K15B	K15BAS
FREQUENCY RESPONSE(-10dB)	120Hz-18kHz	40Hz-300Hz	40Hz-300Hz and 50Hz-20kHz
LF DRIVER	6×4"/ 1"voice coil	1×15"/ 3"voice coil	1×15"/ 3"voice coil
HF DRIVER	1×1"/ 1.7"voice coil	--	--
RATED POWER	200W RMS,800W peak	400W RMS,1600W peak	1350W/8Ω+450W/8Ω
SENSITIVITY	97dB 1watt/1meter	99dB 1watt/1meter	--
MAXIMUM SPL	120dB continuous,126dB peak	125dB continuous,131dB peak	125dB continuous,131dB peak
IMPEDANCE	6 ohms	8 ohms	--
DISPERSION(-6dB)	100°×40°	--	--
CROSSOVER FREQUENCIES	2.7kHz passive	--	--
INPUT CONNECTORS	2×Speakon NL4	2×Speakon NL4	Balanced Differential line
PACKAGE SIZE	990×380×193mm (1pair/carton)	740×495×695 mm	740×495×695 mm
NET WEIGHT	9 kg/pc	32 kg/pc	34 kg/pc
GROSS WEIGHT	22 kg/pair	36 kg/pc	38 kg/pc

Configuration

K3

K12B/K12BAS

K4

K15B/K15BAS


K Accessories

FLEXIBLE POLE(2)



K Amplifier Module



K12BAS



K15BAS