



LS series Landscape Speaker

All-weather System



LS series is a group of all-weather two-way speaker, fashion style, compact design, close to the ground installation, full bass, transparent and bright mid-high, grass green can be integrated with the environment, with waterproof, dustproof, windproof, anti-uv aging, the unit is specially made and treated, the cabinet is formed by engineering plastic mold with three-layer of different materials composite grille the product meets the IP56 standard, to meet all-weather use. The audio transformer and band switch are designed to achieve a variety of different output powers including constant resistance.

LS系列是一组全天候两分音音箱，时尚造型、紧凑设计，贴地安装，低音丰满、中高音通透、明亮，草绿色可与环境融为一体。具有防水、防尘、防风、抗紫外线老化，喇叭单元为特制并经过特殊处理，塑胶模具成型箱体，三层不同材质复合面网，产品满足IP56标准，满足全天候使用，音频变压器及波段开关配合设计，实现多种不同输出功率包括定阻。

FEATURES

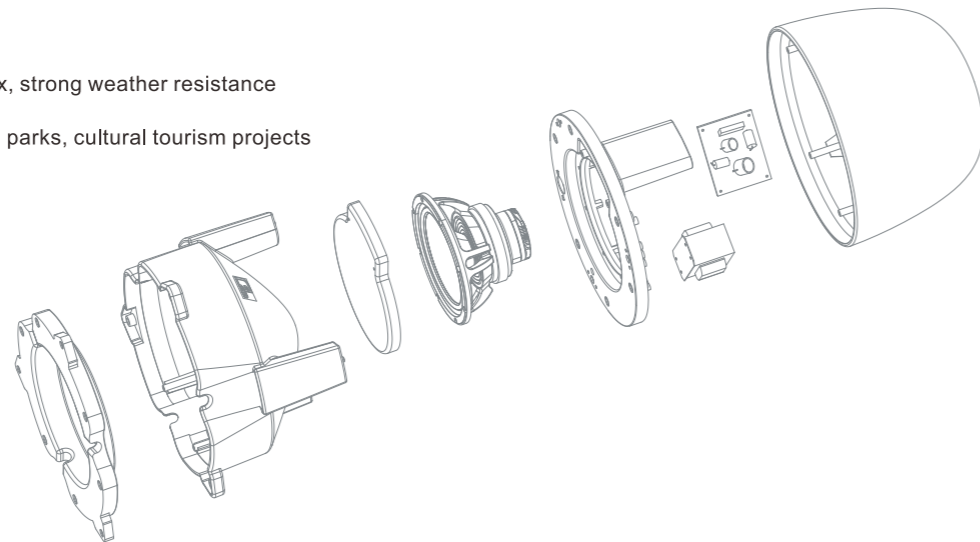
- Passed IP56 testing
- Engineering plastic mold forming box, strong weather resistance
- 360°horizontal coverage angle
- **Applications:** villa gardens, cultural parks, cultural tourism projects

产品特点

- 通过IP56测试
- 工程塑胶模具成型箱体，耐候性极强
- 水平360°覆盖角度

适用范围

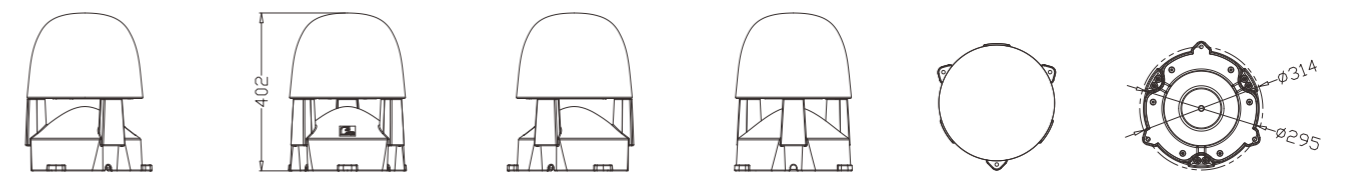
- 别墅园林
- 文化公园
- 文旅项目



MODEL	LS205	LS208	LS108B
FREQUENCY RESPONSE(-10dB)	65Hz-16KHz	60Hz-16KHz	50Hz-300Hz
LF DRIVER	1×5.25"/ 1.5" voice coil	1×8"/ 2" voice coil	1×8"/2"voice coil
HF DRIVER	1×0.8"/ 1" voice coil	1×0.8"/ 1" voice coil	--
INPUT VOLTAGE	100V	100V	100V
RATED POWER	15W/30W/60W/OFF/8Ω	37.5W/75W/150W/OFF/8Ω	37.5W/75W/150W/OFF/8Ω
SENSITIVITY	86dB 1watt/1 metre	93dB 1watt/1 metre	93dB 1watt/1 metre
MAXIMUM SPL	103dB continuous,109 dB peak	114dB continuous,120 dB peak	114dB continuous,120 dB peak
IMPEDANCE	8 ohms	8 ohms	8 ohms
DISPERSION(-6dB)	360°×90°	360°×90°	--
CROSSOVER FREQUENCIES	3.2kHz passive	2.8kHz passive	--
PACKAGE SIZE	405×405×500 mm	470×470×585 mm	470×470×585 mm
NET WEIGHT	7.5kg/pc	10.5kg/pc	9.5kg/pc
GROSS WEIGHT	9.5kg/pc	13kg/pc	12kg/pc

LS Configuration

LS205



LS208/LS108B

