

TH series

中远程多功能音箱
LONG-THROW MULTI-PURPOSE SPEAKER



TH212 TH series TH212DA

Two-way Loudspeaker System



TH315 TH series TH315DA

Three-way Loudspeaker System



TH Series is a high sensitivity, high SPL, long-throw speaker, mid-bass and HF driver all feature horn-loaded design, make the sound transparent and bright, all adopt neodymium units, the cabinet is made of multilayer composite plywood with wear-resistant polyurea paint. The model with A is an active speaker equipped with two channels digital amplifier with DSP.

TH系列是一组高声压级音箱，中低音与高音全部采用号角负载设计，有较高的灵敏度，音质通透、明亮，可以使用多种场景，全部采用钕铁硼磁单元，箱体采用多层复合夹板，耐磨聚脲喷涂。带A型号为带DSP处理功能的两通道D类功率放大器的有源音箱。

FEATURES

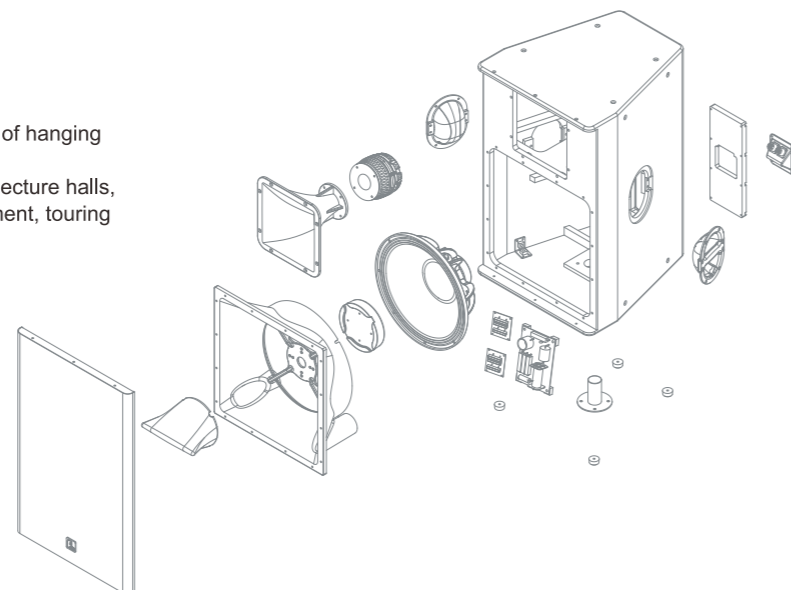
- Mid-bass and HF driver all feature horn-loaded design
- High power, high sensitivity, high SPL
- Clear, transparent and bright sound
- Can be used for single hanging, a variety of combinations of hanging
- Active or passive options are available
- **Applications:** theatres, concert halls, multifunction halls, lecture halls, bars, livehouse, large-scale sound reinforcement, touring

产品特点

- 中低音与高音全部采用号角负载设计
- 大功率、高灵敏度、高声压级输出
- 音质清晰、通透、明亮
- 可单只吊挂、多种组合吊挂使用
- 有源、无源可选

适用范围

- 剧院、音乐厅、多功能厅、报告厅
- 酒吧、LIVEHOUSE
- 大型场景补声
- 流动演出



MODEL	TH212	TH212DA	TH315	TH315DA
FREQUENCY RESPONSE(-3dB)	60Hz-18KHz	60Hz-18KHz	50Hz-18KHz	50Hz-18KHz
FREQUENCY RESPONSE(-10dB)	55Hz-19kHz	55Hz-19kHz	45Hz-20kHz	45Hz-20kHz
LF DRIVER	1×12"/3.5"voice coil	1×12"/3.5"voice coil	1×15"/3"voice coil	1×15"/3"voice coil
MF DRIVER	-	--	1×2"/3.5"voice coil	1×2"/3.5"voice coil
HF DRIVER	1×2"/3"voice coil	1×2"/3"voice coil	1×2"/1.7"voice coil	1×2"/1.7"voice coil
RATED POWER	400W RMS,1600W peak	1350W/8Ω+450W/8Ω	400W RMS,1600W peak	1350W/8Ω+450W/8Ω
SENSITIVITY	98dB 1watt/1meter	--	100dB 1watt/1meter	--
MAXIMUM SPL	124dB continuous,130dB peak	124dB continuous,130dB peak	126dB continuous,132dB peak	126dB continuous,132dB peak
IMPEDANCE	8 ohms	--	8 ohms	-
DISPERSION(-6dB)	60°×40°	60°×40°	70°×40°	70°×40°
CROSSOVER FREQUENCIES	1.3kHz passive	--	500Hz, 5kHz passive	--
INPUT CONNECTORS	2×Speakon NL4	Balanced Differential line	2×Speakon NL4	Balanced Differential line
PACKAGE SIZE	520×500×790 mm	520×500×790 mm	620×590×885 mm	620×590×885 mm
NET WEIGHT	27.5 kg/pc	30 kg/pc	39 kg/pc	42 kg/pc
GROSS WEIGHT	30.5 kg/pc	33 kg/pc	44 kg/pc	47 kg/pc

TH612

TH series TH612DA

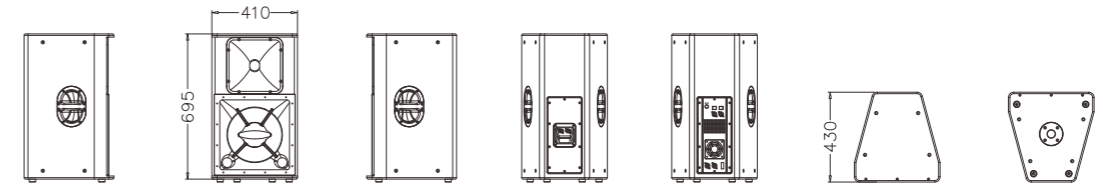
Three-way Loudspeaker System



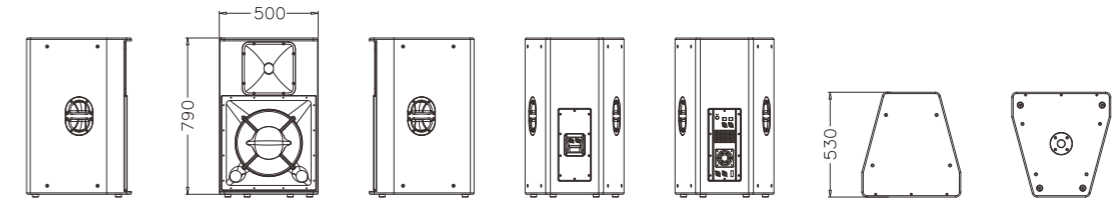
MODEL	TH612	TH612DA
FREQUENCY RESPONSE(-10dB)	LF:60Hz-800Hz,MF+HF:500Hz-18kHz	60Hz-18kHz
LF DRIVER	2×12"/3" voice coil	2×12"/3" voice coil
MF DRIVER	2×1.4"/3.5" voice coil	2×1.4"/3.5" voice coil
HF DRIVER	2×1.4"/1.7" voice coil	2×1.4"/1.7" voice coil
RATED POWER	LF:600W RMS,2400W peak ; MF+HF:300W RMS,1200W peak	1350W/8Ω+450W/8Ω
SENSITIVITY	LF:103dB 1watt/1 metre ; MF+HF:110dB 1watt/1 metre	--
MAXIMUM SPL	LF:130dB continuous,136dB peak ; MF+HF:134dB continuous,140dB peak	130dB continuous,136dB peak
IMPEDANCE	LF:8 ohms ; MF+HF:8 ohms	--
DISPERSION(-6dB)	80°×30°	80°×30°
CROSSOVER FREQUENCIES	600Hz passive	--
INPUT CONNECTORS	2×Speakon NL4	Balanced Differential line
PACKAGE SIZE	665×555×780mm	665×555×780mm
NET WEIGHT	43 kg/pc	46 kg/pc
GROSS WEIGHT	48 kg/pc	51 kg/pc

TH Configuration

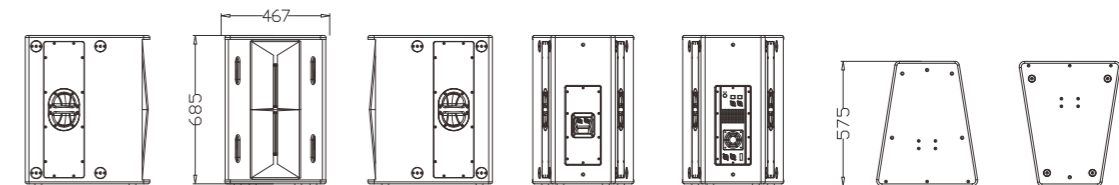
TH212/TH212DA



TH315/TH315DA



TH612/TH612DA



TH Amplifier Module



TH212DA



TH315DA



TH612DA