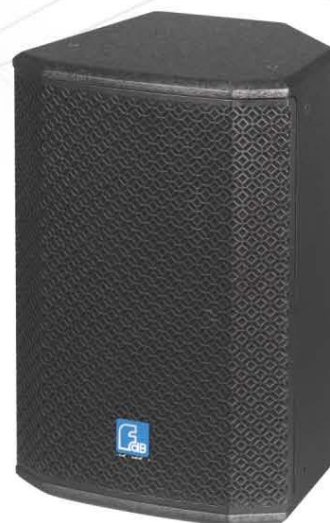


series S110

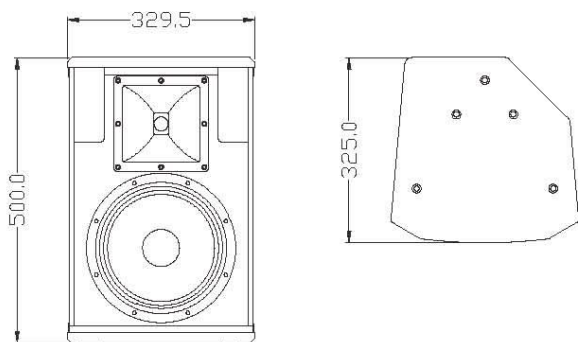
Two-way Loudspeaker System



S110 is a 10" 2-way full range speaker. It uses 1x10" high efficiency mid-bass unit, 1x1" exit throat 44mm voice coil HF driver with 90°x50° rotatable horn. The wood box adopts multilayer composite plywood with special environmental protection paint.

S110是一款10"两分音全频音箱。采用1只10"高效率中低音单元，1只1"喉口44芯高分子聚酯膜高音驱动器配置90° × 50° 可旋转号角，箱体采用多层复合夹板，水性环保喷涂制作。

CONFIGURATION



FEATURES

- High quality plywood with special environmental protection paint
- Compact 2-way design
- Rotatable horn
- Flexible mounting options
- Top hat fitting for tripod
- Used for conference rooms, multipurpose halls, classrooms and small moving performance

产品特点

- 高品质单元配置，高声压级输出
- 可旋转号角，多种安装方式

适用范围

- 会议室、多功能厅，教室
- 小型演出



MODEL
FREQUENCY RESPONSE(-3dB)
FREQUENCY RESPONSE(-10dB)
DRIVERS

RATED POWER
SENSITIVITY
MAXIMUM SPL
IMPEDANCE
DISPERSION(-6dB)
CROSSOVER FREQUENCIES
INPUT CONNECTORS
PACKAGE SIZE
NET WEIGHT
GROSS WEIGHT

S110
70 Hz-18kHz
65 Hz-20kHz
1×10"(250mm)/2.5"voice coil LF
1×1"(25mm)/1.7"voice coil HF
250W RMS,1000W peak
95dB 1watt/1 metre
119dB continuous,125 dB peak
8 ohms nominal
90°×50°
1.7kHz passive
2×Speakon NL4
410mm×405mm×600mm
14 kg/pc
17 kg/pc