

LTseries **LT115B** **LT115BT**

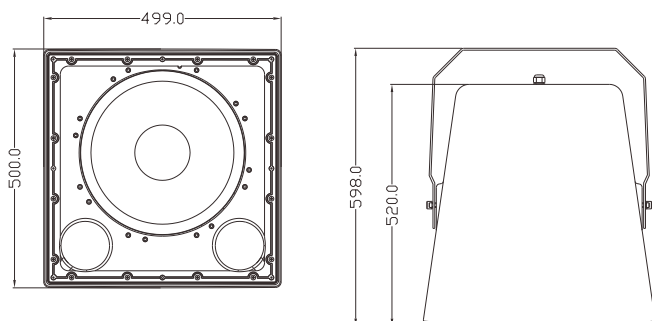
Sub-woofer System



LT115B is a compact, 15" LF driver, bass-reflex design, highly weather-resistant subwoofer, sub-bass reinforcement to LT series, the body is made of engineering plastic injection molding. LT115BT is equipped with multi-tap transformer based on LT115B.

LT115B是一款15寸低音音箱，箱体设计优先考虑全天候使用环境，采用一只15"低音单元，箱体采用工程塑胶注塑而成，配合LT208/LT212/LT215使用。LT115BT是在LT115B的基础上配置多种输出功率选择功能的定压音箱。产品满足IP56国际标准。

CONFIGURATION



FEATURES

- Highly weather-resistant IP56 rating
- Engineering plastic injection molding
- Bass reflex design
- Good used for sports facilities, stadiums, water parks, and a wide variety of other outdoor venue types.

产品特征

- 高质量单元配置，工程塑胶箱体
- 倒相式设计，低音强劲自然
- 适应全天候使用
- 超长品质保证期：品质与信心的保证

适用范围

- 配合LT208/LT212/LT215使用
- 广场、主题公园、景区扩声

MODEL	LT115B	LT115BT
FREQUENCY RESPONSE(-3dB)	45Hz-300Hz	45Hz-300Hz
DRIVERS	1×15"(385mm)/3"voice coil LF	1×15"(385mm)/3"voice coil LF
INPUT VOLTAGE	--	100V
RATED POWER	400W RMS,1600W peak	75W/150W/300W/OFF/8Ω 400W
SENSITIVITY	98dB 1watt/1 metre	98dB 1watt/1 metre
MAXIMUM SPL	124dB continuous,130dB peak	124dB continuous,130dB peak
IMPEDANCE	8 ohms nominal	8 ohms nominal
DISPERSION(-6dB)	--	--
CROSSOVER FREQUENCIES	--	--
INPUT CONNECTORS	covered barrier strip terminals	covered barrier strip terminals
PACKAGE SIZE	610mm×545mm×595mm	610mm×545mm×595mm
NET WEIGHT	22 kg/pc	24.5 kg/pc
GROSS WEIGHT	25 kg/pc	27.5 kg/pc