



U series U212V

Two-way Loudspeaker System

The U212V is the ideal general-purpose loudspeaker with a wide frequency response, suitable for all kinds of mid-field theatre and live venue applications that require professional sound quality.

U212V是一款双12"两分音全音域音箱。采用两只12"高效率低音单元，一只1.4"喉口75芯钛膜高音驱动器配置90°×40°专门设计号角，箱体采用多层复合夹板，水性环保喷涂制作。

FEATURES

- High quality plywood with special environmental protection paint
- Compact two-way passive system
- Mid-high frequency's sensitivity can be adjusted
- Rotatable 90°×40° horn
- Flexible mounting options

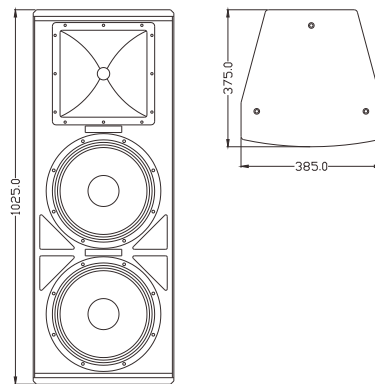
产品特点

- 中高音灵敏度可调
- 高质量单元配置，高强度夹板箱体
- 多吊挂点，操作简易快捷
- 超长品质保证期：品质与信心的保证

适用范围

- 用于全音域扩声、剧院、厅堂扩声、慢摇吧
- 多功能厅、高级酒店会所
- 流动商演、乐队扩声以及舞台返送音箱

CONFIGURATION



MODEL

FREQUENCY RESPONSE(-3dB)

DRIVERS

RATED POWER

SENSITIVITY

MAXIMUM SPL

IMPEDANCE

DISPERSION(-6dB)

CROSSOVER FREQUENCIES

INPUT CONNECTORS

PACKAGE SIZE

NET WEIGHT

GROSS WEIGHT

U212V

45 Hz-18kHz

2×12"(300mm)/3"voice coil LF

1×1.4"(36mm)/3"voice coil HF

700W RMS,2800W peak

100dB 1watt/1 metre

128dB continuous,134 dB peak

4 ohms nominal

90°×40°

1.5kHz passive

2×Speakon NL4

480mm×470mm×1128mm

39 kg/pc

45 kg/pc

